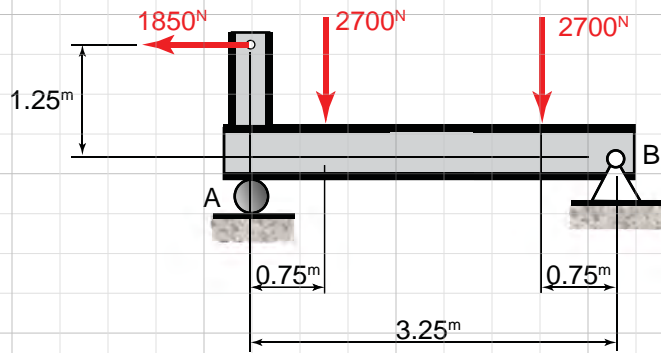


Name: \_\_\_\_\_

Quiz: 4-1-2-28

Find the reactions at A and B.



Answer(s):